

KUHN RIDDLE
 ARCHITECTS
 28 AMITY ST. SUITE 2B
 A M H E R S T
 MASSACHUSETTS 01002
 413 259 1630
 FAX: 413 259 1621

This drawing is not intended nor shall it be used for construction purposes unless the signed professional seal of a registered architect employed by Kuhn Riddle Architects, Inc., is affixed above.

Keynotes/General Notes:

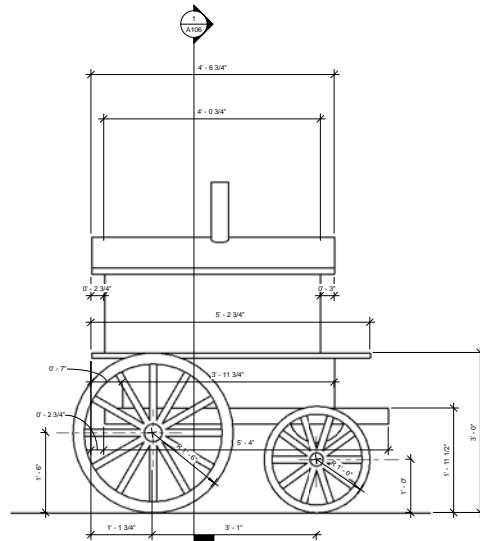
WORKING DRAWINGS

Wizard of Oz - 2011
 Bowker Auditorium, January 2011

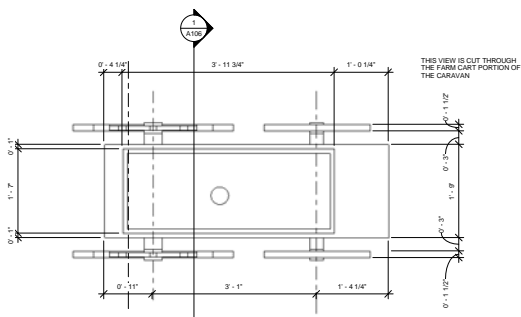
Caravan - Others

Date: November 27, 2010
 Project: Project Number
 Scale: As indicated
 Drawn By: Author

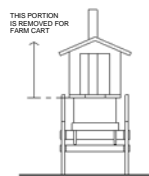
A106



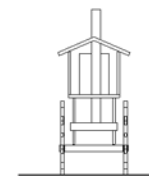
3 Caravan - Side Elevation
 1" = 1'-0"



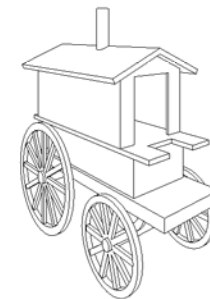
8 Caravan - Plan
 1" = 1'-0"



2 Caravan - End Elev
 1/2" = 1'-0"



1 Caravan - Cross-Section
 1/2" = 1'-0"



4 Caravan - 3D View